

DWG NO.

DO NOT SCALE

METRIC

3rd ANGLE PROJECTION

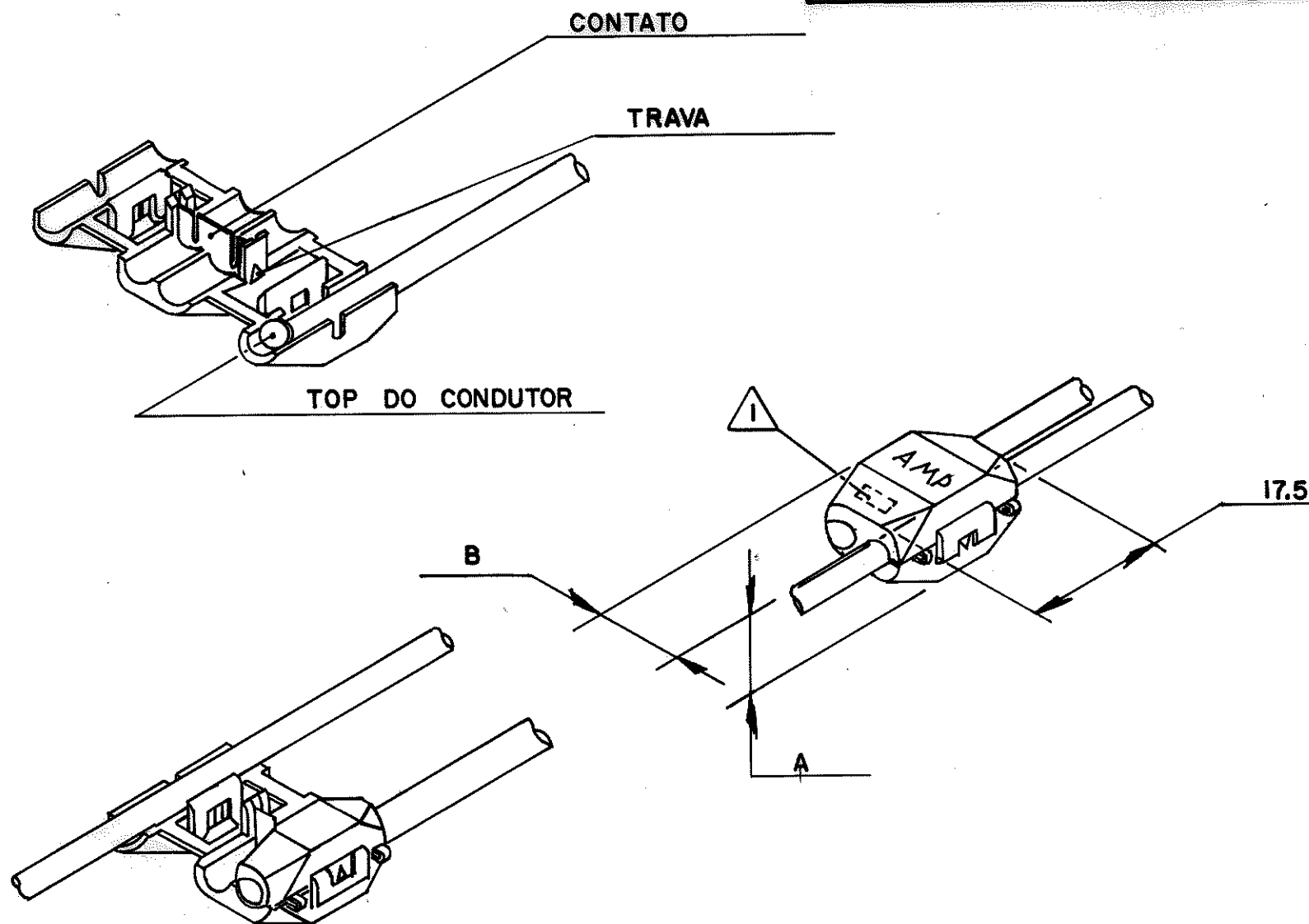
REQ. PER ASSY

ITEM

DESCRIPTION

MATERIAL

FINISH



- ⚠ 1 GRAVAR BITOLA DE FIOS DE ACORDO COM TABELA ABAIXO.
- ⚠ 2 ETIQUETA PN 493294-1 APENAS PARA PMSP.
- ⚠ 1 ENGRAVE WIRE DIMENSION ACC. TO TABLE BELLOW.
- ⚠ 2 LABEL PN 493294-1 ONLY FOR PMSP.
- ⚠ 3 OBSOLETE PARTS: OBSOLETE CIS STREAMLINING PER D.RENAUD/D.SINISI

| | | | | | | | | |
|--------------|------|------|-----------------------|-------------------------------|--------|------------------------|-----------|-------------------------|
| ⚠ 3 OBSOLETE | ↑ | ↑ | ↑ | 05 - 0,8 | RED | ↑ | ↑ | 626437-4 |
| | ↑ | ↑ | ↑ | ↑ | BLACK | NYLON 6/6 UV PROTECTED | ↑ | 626437-3 ⚠ 2 |
| | 12,6 | 10,0 | 4 | 1,0 - 2,5 | BLUE | NYLON 6/6 | TIN BRASS | 626437-2 |
| | B | A | ∅ MAX. ISOLATING (mm) | WIRE DIM. mm ² ⚠ 1 | COLOUR | ISOLATOR | CONTACT | 626437-1 |
| | | | | | | | | PART NUMBER |

CUSTOMER DWG
for REFERENCE ONLY

THIS DRAWING IS UNPUBLISHED RELEASED FOR PUBLICATION
© COPYRIGHT 19 BY AMP DO BRASIL LTDA S.P. ALL INTERNATIONAL RIGHTS RESERVED AMP PRODUCTS MAY BE COVERED BY U.S. AND FOREIGN PATENTS AND/OR PATENTS PENDING.

TOLERANCES UNLESS OTHERWISE STATED
DEC. ± 1.0
ANGLES ± 1°

DR. 04 DEC 97
C.A.FERNANDES

AMP AMP do BRASIL LTDA.
São Paulo, Brasil

| | | | | | | |
|----|---------------------------|--------|-----|----------|------------|-----------|
| E1 | REVISED PER ECO-09-026444 | KK | AEG | 27NOV09 | CHK. | 15 Jan 98 |
| E | REVISED BY LE.10.0445/04 | H.C. | | 21Jan.03 | J.A.VIEIRA | |
| D | REVISED BY LE.10.0277/04 | H.C. | | 28.09.04 | | |
| C1 | REDRAW LBOO 437/97 | C.A.F. | | 4.12.97 | | |

DESCRIPTION
ELECTRO-TAP

| | | | | | | | | | | | | |
|-----|----------|--------|-----|----|-----|------|------|---------------|---------|----------|-------|--------|
| ISS | REVISION | RECORD | ECN | DR | CHK | DATE | APP. | J.A.LA SALVIA | DRG NO. | C 626437 | SHEET | 1 OF 1 |
|-----|----------|--------|-----|----|-----|------|------|---------------|---------|----------|-------|--------|